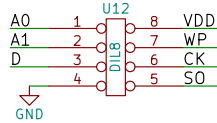
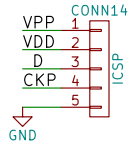
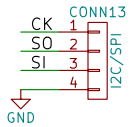
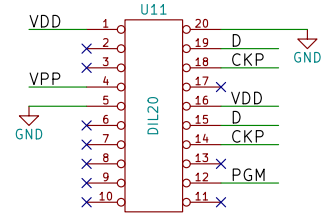


I2C/UNIO EEPROM



8-14-18-20 pin PIC



by Alberto Maccioni

Sheet: /PIC20p+I2C/

File: PIC20p+I2C.sch

Title: PIC 20p + I2C expansion board

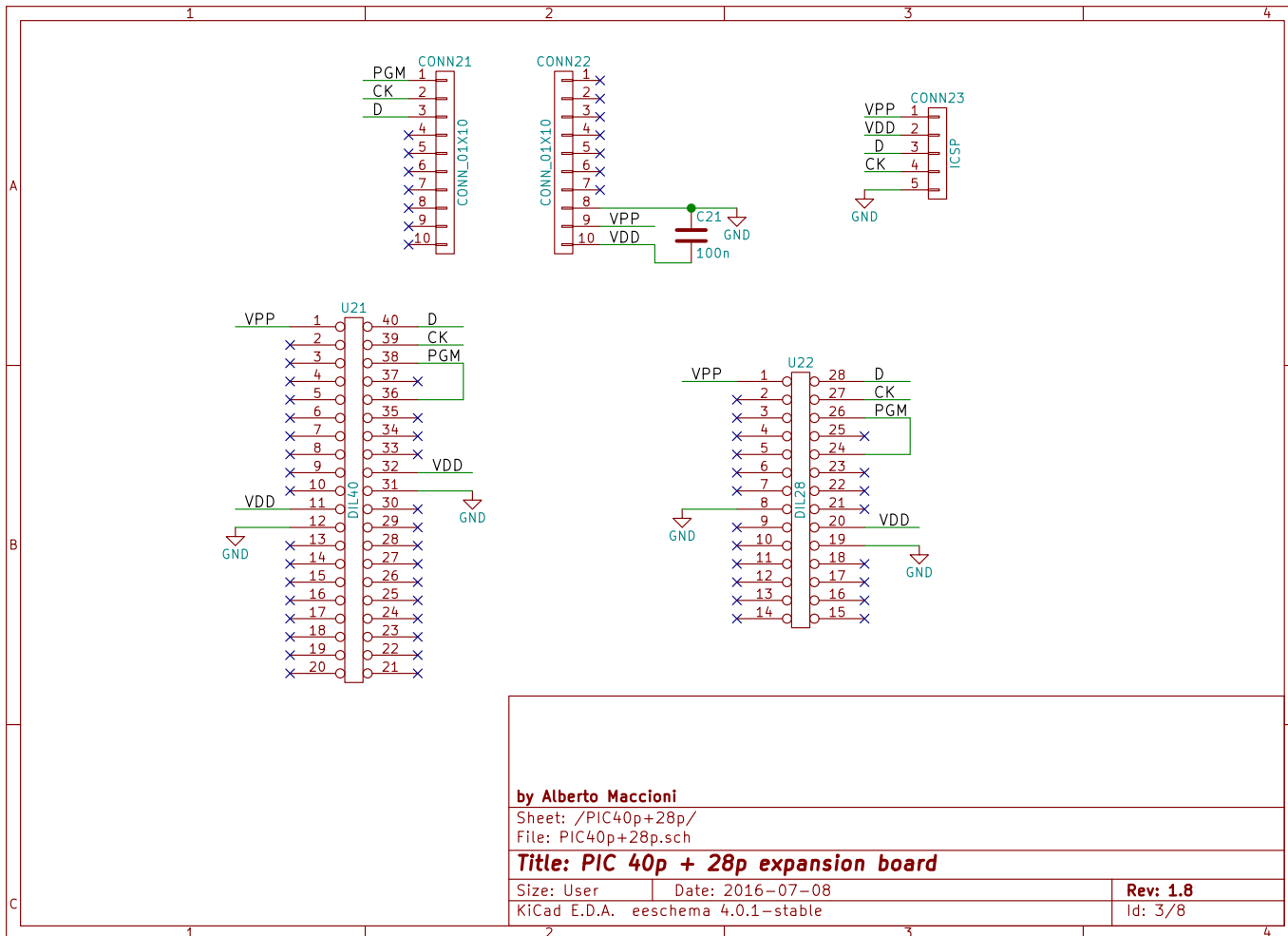
Size: User

Date: 2016-07-08

Rev: 1.8

KiCad E.D.A. eeschema 4.0.1-stable

Id: 2/8



by Alberto Maccioni

Sheet: /PIC40p+28p/

File: PIC40p+28p.sch

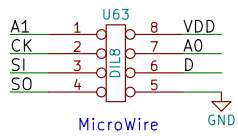
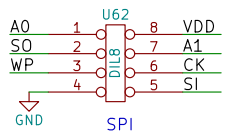
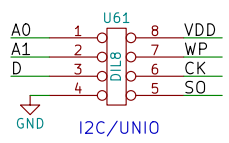
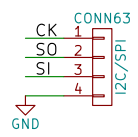
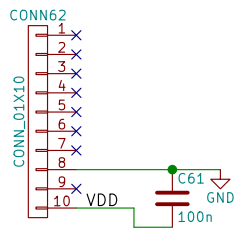
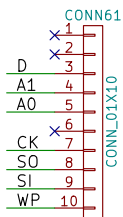
Title: PIC 40p + 28p expansion board

Size: User Date: 2016-07-08

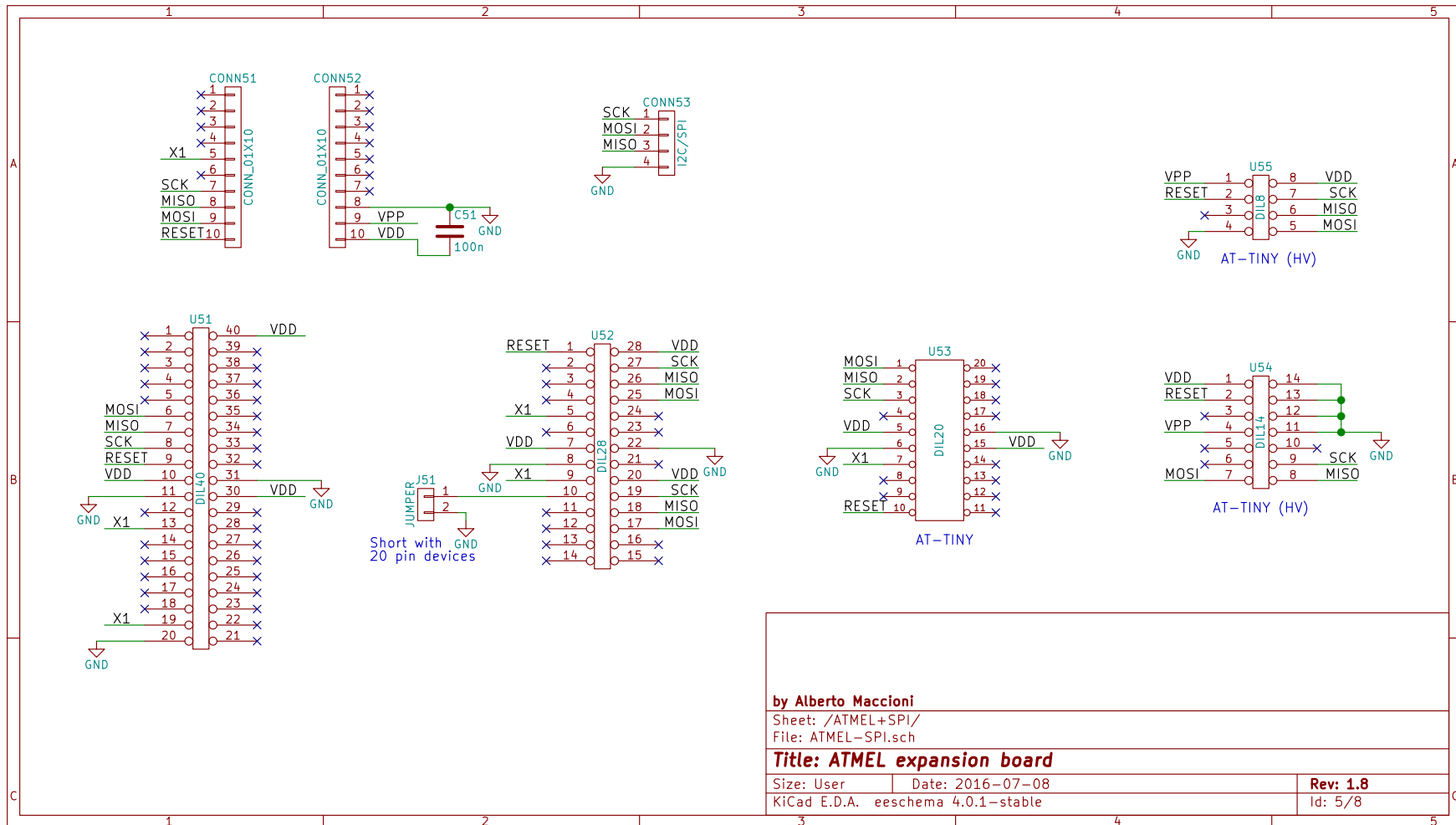
KiCad E.D.A. eeschema 4.0.1-stable

Rev: 1.8

Id: 3/8



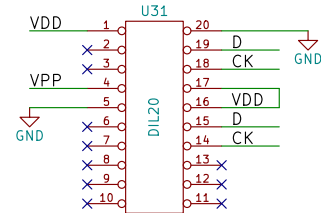
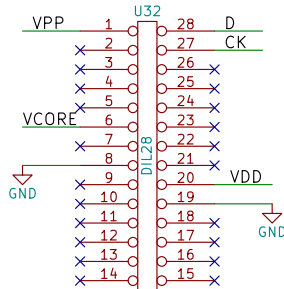
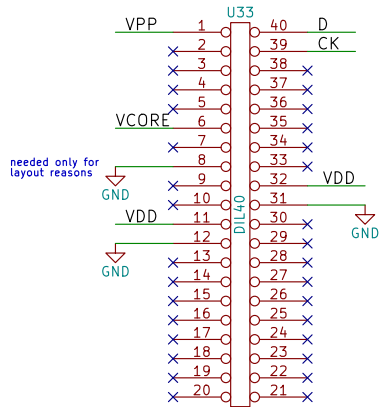
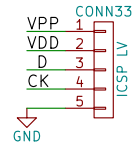
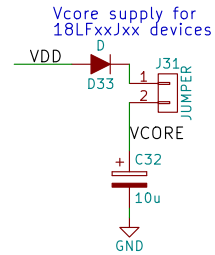
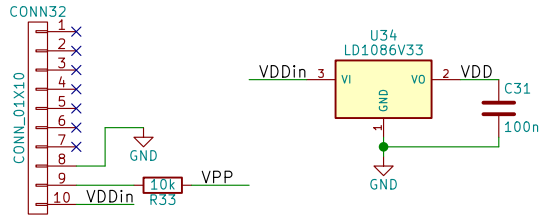
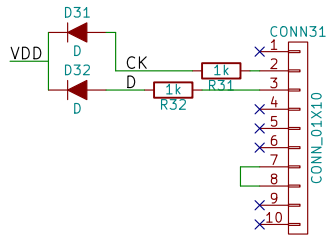
by Alberto Maccioni		
Sheet: /EEPROM/		
File: EEPROM.sch		
Title: EEPROM expansion board		
Size: User	Date: 2016-07-08	Rev: 1.8
KiCad E.D.A. eschema 4.0.1-stable		Id: 4/8



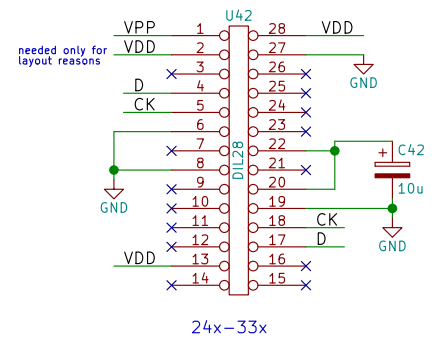
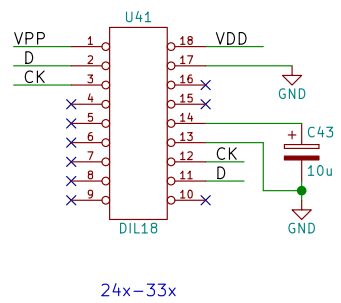
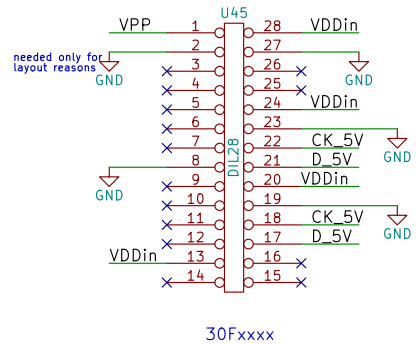
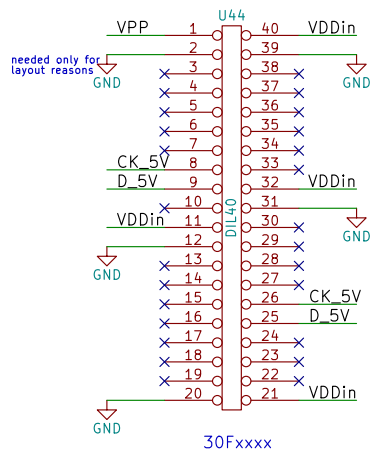
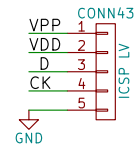
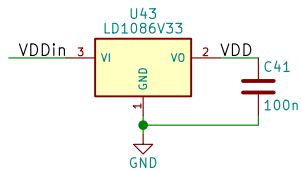
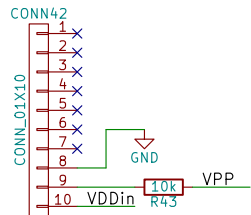
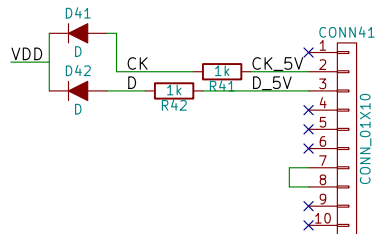
by Alberto Maccioni
 Sheet: /ATMEL+SPI/
 File: ATMEL-SPI.sch

Title: ATMEL expansion board

Size: User	Date: 2016-07-08	Rev: 1.8
KiCad E.D.A. eeschema 4.0.1-stable		Id: 5/8



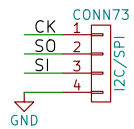
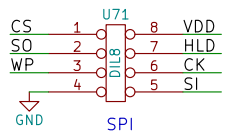
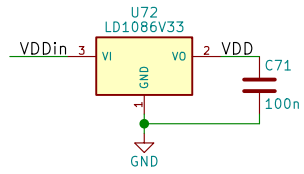
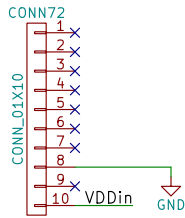
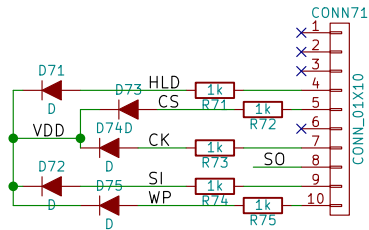
by Alberto Maccioni	
Sheet: /PIC16F-18F_LV/	
File: PIC16F-18F_LV.sch	
Title: PIC12/16F - PIC18Fx - LV	
Size: User	Date: 2016-07-08
KiCad E.D.A. eeschema 4.0.1-stable	Rev: 1.8
	Id: 6/8



by Alberto Maccioni
 Sheet: /PIC24-30-33/
 File: PIC24-30-33.sch

Title: PIC 24-30-33

Size: User	Date: 2016-07-08	Rev: 1.8
KiCad E.D.A. eeschema 4.0.1-stable		Id: 7/8



by Alberto Maccioni

Sheet: /SPI_FLASH_LV/
 File: SPI_FLASH_LV.sch

Title: SPI FLASH (LV)

Size: User Date: 2016-07-08

Rev: 1.8

KiCad E.D.A. eeschema 4.0.1-stable

Id: 8/8